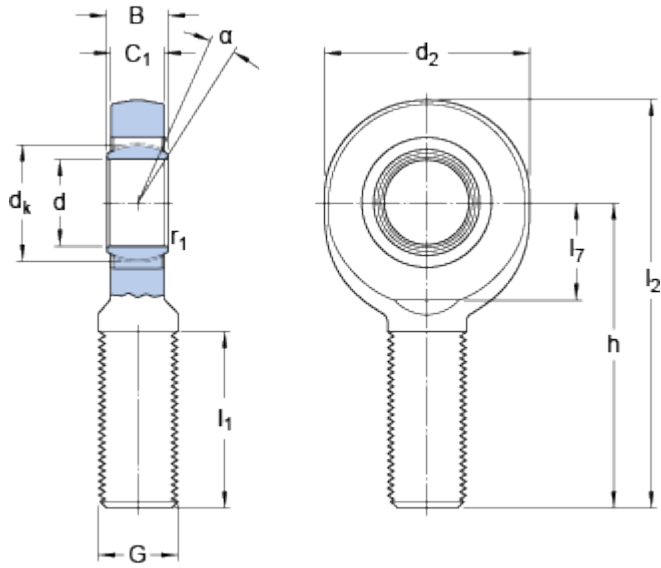


# SA 25 C

## Dimensions



d		25	mm
d <sub>2</sub>	max.	65	mm
B		20	mm
G		M 24x2	
C <sub>1</sub>	max.	18	mm
h		94	mm
α		7	°
d <sub>k</sub>		35.5	mm
l <sub>1</sub>	min.	53	mm
l <sub>2</sub>	max.	128	mm
l <sub>7</sub>	min.	30	mm
r <sub>1</sub>	min.	0.6	mm

## Calculation data

Basic dynamic load rating	C	51	kN
Basic static load rating	C <sub>0</sub>	78	kN
Specific dynamic load factor	K	100	N/mm <sup>2</sup>
Material constant	K <sub>M</sub>	1400	

## Mass

Mass rod end		0.57	kg
--------------	--	------	----